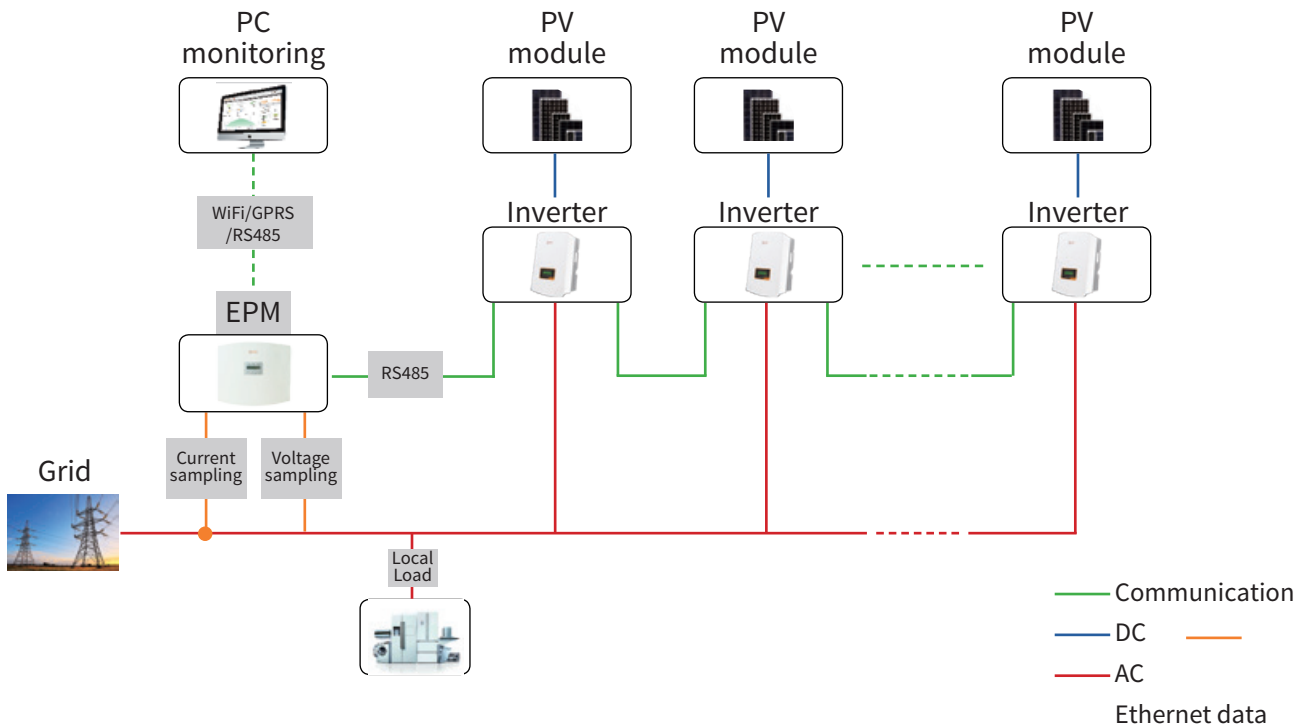


Accessories

Solis Export Power Manager

Solis Export Power Manager



The control center for smart energy management

The Solis export power manager is the ideal solution for smart energy management both for residential and commercial system. With the LCD user interface an overview of all important energy flows of inverter and load is provided. PV energy can be used more efficiently, thereby significantly increasing self-consumption. Additionally, PV feed-in power is going to be limited in some country. Energy management with the Solis export power manager allows for higher self-consumption and efficient use of the locally generated PV power.

Easy to Use

- ▶ Active power limitation and control at the grid-connection point
- ▶ Automatic, intelligent control of loads with up to 80 Phase Solis inverters
- ▶ Easy commissioning with the PV System Setup Assistant
- ▶ Basic system monitoring via Ginlong monitoring system

Flexible

- ▶ Several standardized meter interfaces
- ▶ Individual specifications for controllable appliances

Datasheet

Model	Solis-EPM3-5G
Technical data	Export Device

Communication

Inverter communication	RS485
Monitoring	WiFi/GPRS/Ethernet

Connections

Inverter connection	Three phase inverters
Max. inverter number	80
Monitoring connection	Wifi stick or GPRS stick for single inverter connection Smartlog for 2-80 inverter connection
Grid connection	3L/N+PE

CT specification

CT connection	Terminal board for CT
CT Input current range	0-5000A
Recommended CT Input current range	3000A
CT Ratio	3000:5

Voltage supply

Voltage supply	Grid
Input voltage	L to N: 60~ 280 Vac, 50 / 60 Hz L to L: 100~ 480 Vac, 50/60 Hz
Power consumption	<10 W

Ambient conditions during operation

Ambient temperature	-25°C~+60°C
Degree of protection	IP65
Maximum permissible value for relative humidity (non-condensing)	5 % to 95 %

General data

Dimensions (mm)	378W*425H*124D
Weight (Kg)	4.9
Mounting location	Indoor and outdoor
Deployment options	Wall mounting

Features

Operation	Via LCD
Warranty	5 years
control time	5 s
Fail safe function and control time	Yes, 5 s
Accuracy	0.03
Remote upgrade	Support