



Active Safety

AI Powered
Active Arcing Protection



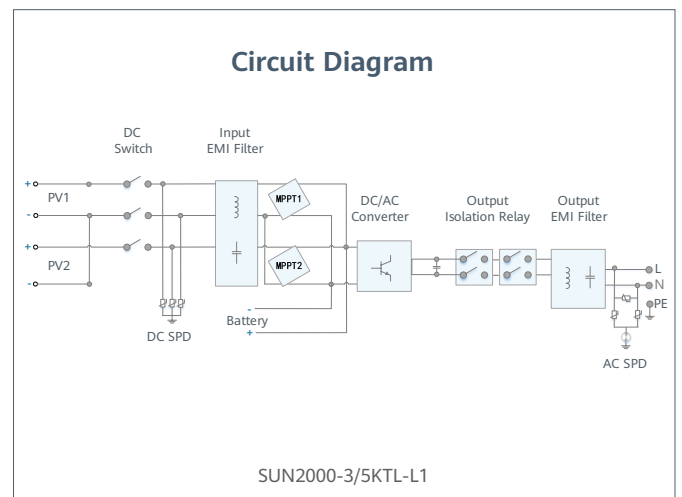
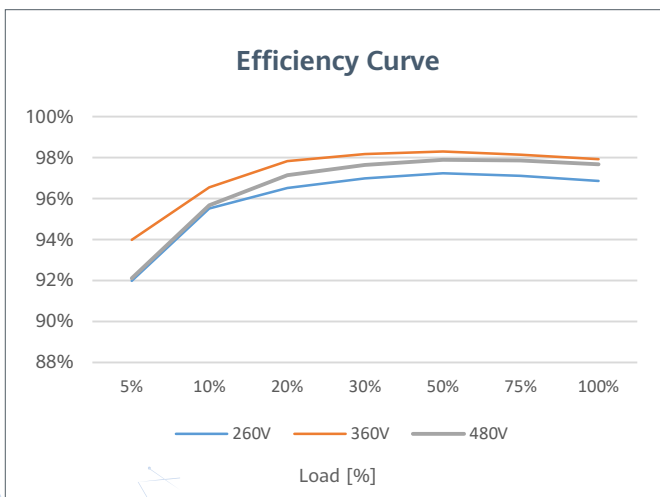
Higher Yields

Up to 30% More
Energy with Optimizer



2x POWER Battery Ready

5KW AC Output plus
5KW Battery Charge



SUN2000-3/5KTL-L1
Technical Specification

Technical Specification	SUN2000 -3KTL-L1	SUN2000 -5KTL-L1
Efficiency		
Max. efficiency	98.3 %	98.4 %
European weighted efficiency	97.3 %	97.8 %
Input (PV)		
Recommended max. PV power ²	4,500 Wp	7,500 Wp
Max. input voltage		600 V ³
Start-up voltage		100 V
MPPT operating voltage range		90 V – 560 V ³
Rated input voltage		360 V
Max. input current per MPPT		12.5 A
Max. short-circuit current		18 A
Number of MPP trackers		2
Max. number of inputs		2
Input (DC Battery)		
Compatible Battery	LG Chem RESU 7H_R / 10H_R	
Operating voltage range	350 ~ 450 Vdc	
Max operating current	10 A @7H_R / 15 A @10H_R	
Max charge power	3,500 W @7H_R / 5,000 W @10H_R	
Max discharge Power @7H_R	3,300 W	3,500 W
Max discharge Power @10H_R	3,300 W	5,000 W
Compatible Battery	HUAWEI Smart ESS Battery 5kWh – 30kWh ¹	
Operating voltage range	350 ~ 560 Vdc	
Max operating current	15 A	
Max charge Power	5,000 W ⁴	
Max discharge Power	3,300 W	5,000 W
Output		
Grid connection	Single phase	
Rated output power	3,000 W	5,000 W ⁵
Max. apparent power	3,300 VA	5,500 VA ⁷
Rated output voltage	220 Vac / 230 Vac / 240 Vac	
Rated AC grid frequency	50 Hz / 60 Hz	
Max. output current	15 A	25 A ⁸
Adjustable power factor	0.8 leading ... 0.8 lagging	
Max. total harmonic distortion	≤ 3 %	
Backup power output	Yes (via Backup Box-B0 ¹)	
Protection & Feature		
Anti-Islanding protection	Yes	
DC reverse polarity protection	Yes	
Insulation monitoring	Yes	
DC surge protection	Yes, compatible with TYPE II protection class according to EN/IEC 61643-11	
AC surge protection	Yes, compatible with TYPE II protection class according to EN/IEC 61643-11	
Residual current monitoring	Yes	
AC overcurrent protection	Yes	
AC short-circuit protection	Yes	
AC overvoltage protection	Yes	
Over-heat protection	Yes	
Arc fault protection	Yes	
Battery reverse charging from grid	Yes	
General Data		
Operating temperature range	-25 ~ +60 °C (Derating above 45°C @ Rated output power)	
Relative operating humidity	0 %RH ~ 100 %RH	
Operating altitude	0 ~ 4,000 m (Derating above 2,000 m)	
Cooling	Natural convection	
Display	LED indicators; integrated WLAN + FusionSolar APP	
Communication	RS485, WLAN via inverter built-in WLAN module Ethernet via Smart Dongle-WLAN-FE (Optional); 4G / 3G / 2G via Smart Dongle-4G (Optional)	
Weight (incl. mounting bracket)	12.0 kg (26.5 lb)	
Dimension (incl. mounting bracket)	365mm * 365mm * 156 mm (14.4 x 14.4 x 6.1 inch)	
Degree of protection	IP65	
Optimizer Compatibility		
DC MBUS compatible optimizer	SUN2000-450W-P	

Standard Compliance (more available upon request)

Safety	EN/IEC 62109-1, EN/IEC 62109-2
Grid connection standards	G98, G99, EN 50549-1, CEI 0-21, VDE-AR-N-4105, AS 4777, C10/11, ABNT, UTE C15-712, RD 1699, TOR D4, IEC61727, IEC62116

^{*1} Available in 2020 Q3.

^{*2} Inverter max input PV power is 10,000 Wp when long strings are designed and fully connected with SUN2000-450W-P power optimizers.

^{*3} The maximum input voltage and operating voltage upper limit will be reduced to 495 V when inverter connects and works with LG battery.

^{*4} 2,500 W @ 5kWh HUAWEI ESS battery

^{*5} AS4777.2: 4,991W. ^{*6} VDE-AR-N 4105: 4,600VA / AS4777.2: 4,999VA. ^{*7} AS4777.2: 4,999VA / C10/11: 5,000VA ^{*8} AS4777.2: 21.7A.